

# ***Rough terrain?***

Roll smoothly with ***colson***® pneumatic, semi-pneumatic, and flat-free casters and wheels



**For indoor-outdoor and over rough terrain applications**

- maintenance-free, with no air loss
- UV protected for extended outdoor use
- non-marking for protecting indoor floors
- heavy use applications up to 450 lbs.
- cushion air ride
- available in sizes 6" to 16"

**COLSON.CA**

CAMBRIDGE \ MONTREAL \ TORONTO \ VANCOUVER



# Duraflex "Crumb Rubber" Soft Roll High Capacity Wheels

Solid cushion tires made from blend of granular rubber and chemical accelerators, cured under tremendous pressure for lasting durability. The result is a solid, puncture proof, high impact wheel. Tires are mounted on rugged polypropylene centers which will not dent or rust like conventional metal hubs.

**Application areas include:** hand truck wheels, refuse bins, platform carts, roofing carts, mobile stands, panel carts, furniture movers, gates, sign stands, wheelbarrows, and related uses.



Duraflex "Crumb Rubber" Soft-Roll Wheels

Wheel Diameter	Tread Width	Wheel Bearing	Bore	Hub Style	Hub Length	Capacity (lbs)	Wheel Description	Product Number
6"	1-1/2"	Roller	3/4"	Centered	2-1/4"	300	I81-6X1 1/2	44154
8"	2"	Roller	3/4"	Centered	2-1/4"	500	I81-8X2 3/4	44155
8"	2"	Roller	5/8"	Centered	2-1/4"	500	I81-8X2 5/8	44156
8"	2-1/4"	Precision	1/2"	Offset	2-1/4"	500	I82-8X225X2 1/4 Off-1/2	91458
8"	2-1/4"	Precision	5/8"	Offset	2-1/4"	500	I82-8X225X2 1/4 Off-5/8	44144
8"	2-1/4"	Precision	3/4"	Offset	2-1/4"	500	I82-8X225X2 1/4 Off-3/4	44145
8"	2-1/4"	Precision	1/2"	Centered	2-1/2"	500	I82-8X225X2 1/2-1/2	44127
8"	2-1/4"	Precision	5/8"	Centered	2-1/2"	500	I82-8X225X2 1/2 -5/8	44146
8"	2-1/4"	Precision	3/4"	Centered	2-1/2"	500	I82-8X225X2 1/2-3/4	44147
10"	2-1/2"	Precision	1/2"	Offset	2-1/4"	550	I82-10X250X2 1/4 Off-1/2	44128
10"	2-1/2"	Precision	5/8"	Offset	2-1/4"	550	I82-10X250X2 1/4 Off-5/8	44148
10"	2-1/2"	Precision	3/4"	Offset	2-1/4"	550	I82-10X250X2 1/4 Off-3/4	44149
10"	2-1/2"	Precision	1/2"	Centered	3-1/4"	550	I82-10X250X3 1/4-1/2	44130
10"	2-1/2"	Precision	5/8"	Centered	3-1/4"	550	I82-10X250X3 1/4-5/8	44150
10"	2-1/2"	Precision	3/4"	Centered	3-1/4"	550	I82-10X250X3 1/4-3/4	44151
12"	3"	Precision	5/8"	Centered	3-1/4"	600	I82-12X300X3 1/4-5/8	44153
12"	3"	Plain	1"	Centered	2-1/2"	600	I82-12x3x2 1/2-1	44157
12"	3"	Precision	3/4"	Centered	3-1/4"	600	I82-12X300X3 1/4-3/4	44152
14"	1-3/4"	Delrin	1"	Centered	2-3/4"	1000	I82-14X1.75X3 1" DELRIN	44133
14"	1-3/4"	Precision	1/2"	Centered	2-3/4"	1000	I82-14X1.75X3 1/2"BB	44140
16"	1-3/4"	Precision	1/2"	Centered	2-3/4"	1000	I82-16X1.75X3 1/2"BB	44138

## Mono-Pneumatic Wheels: Built to last!

Mono-pneumatic wheels look and perform like a conventional pneumatic wheel, but without the problematic maintenance issues typical of air-filled pneumatic wheels. They are also built to withstand much higher load capacity than pneumatic wheels of equal style. The ultimate in performance!

**Value added benefits of Mono-Pneumatic wheels include:**

- No air loss; does not go flat, ever!
- High bounce and strong traction over rough terrain
- Waterproof thermoplastic elastomer
- Three piece demountable hub, with grease zerk on hub
- Ball bearing or optional precision bearing
- Resistant to oils and solvents
- Available in 6", 8", 9", and 10" symmetric or off-set hub
- Non-marking



Mono-Pneumatic "Soft-Grip" Heavy Duty Wheels

Wheel Diameter	Tread Width	Wheel Bearing	Bore	Hub Style	Hub Length	Capacity (lbs)	Wheel Description	Product Number
6"	2"	Ball	1/2"	Centered	2-1/2"	250	6x2	7011370
8"	2"	Ball	1/2"	Centered	2-1/2"	280	8x2	7017990
9"	2.5"	Ball	1/2"	Centered	3-1/2"	350	8.7x2.5/4	7014580
10"	3.5"	Ball	5/8"	Offset	2-1/4"	440	10x3.5/4	7014570
10"	3.5"	Ball	5/8"	Centered	3-3/4"	440	10x3.5/4	7014790

# Faultless® Flat-Free Casters & Wheels

Chemical and UV-resistant, these 'flat-free' casters and wheels provide bounce, rebound, and hysteresis. Perform and look like air-filled tires. Non-marking, light weight, and require no-maintenance. Supports heavy loads and lasts up to three times longer than pneumatic rubber casters and wheels.

## Polyurethane Flat-Free Casters

Wheel Diameter	Tread Width/Type	Capacity (lbs)	Load Height	Swivel Radius	Swivel Product No.	Swivel w/ Brake	Rigid Product Number
6"	1484-6X2	250	7-1/2"	5"	91381	91383	91382
8"	1484-8X2	280	9-1/2"	6-1/8"	92601	92606	92602
10"	1484-10	300	12"	8-5/16"	92603	92607	92604
12"	1484-12	420	15"	10-1/4"	91387	N/A	91388



## Polyurethane "Soft-Grip" Heavy Duty Wheels

Wheel Diameter	Tread Width	Wheel Bearing	Bore	Hub Style	Hub Length	Capacity (lbs)	Wheel Description	Product Number
6"	2"	Precision	1/2"	Centered	2.5"	250	184-6x2	93048
8"	2"	Precision	1/2"	Centered	2.5"	280	184-8x2	93059
10"	3.5"	Precision	1/2"	Centered	4"	300	184-10X3.50	93071
10"	3.5"	Precision	5/8"	Offset	2.25" Off	300	184-10-4.10/3.50 OFF	93094
12"	4"	Precision	1/2"	Centered	4.4"	450	184-12x3.50	93072
16"	4"	Precision	5/8"	Centered	6"	500	184-16-4.80/4.00-8 RIB	93095
16"	4"	Precision	3/4"	Centered	3"	500	184-16-4.80-8 Smooth	93104
16"	4"	Plain	1"	Centered	4"	500	184-16-4.8-4.00-8 RIB	92614





## Light-Duty Semi-Pneumatic Wheels

Hollow rimmed rubber tread mounted on plastic polypropylene disc centres. An all season, maintenance free light duty wheel used on outdoor-indoor applications such as ladders, cylinder stands, and other light equipment. Black tire on white disc centres, with load capacity of up to 80 lbs.

**Application areas include:** light duty hand truck, lawn furniture, barbecue grill, lawn mower, trash container, cylinder carts, mobile signs, and related uses.



### Plastic Hub Semi-Pneumatic Wheels - Light Duty, Hollow Tire

Wheel Diameter	Tread Width	Wheel Bearing	Bore	Hub Style	Hub Length	Capacity (lbs)	Wheel Description	Product Number
6"	1-1/2"	Plain	1/2"	Offset	1-3/8"	50	6Px150 OFF	003300
8"	1-3/4"	Plain	1/2"	Offset	1-3/8"	60	8Px175 OFF	003301
10"	1-3/4"	Plain	1/2"	Offset	1-1/2"	80	10Px1.75 OFF	003302
10"	1-3/4"	Plain	1/2"	Offset	1-1/2"	80	10Px1.75 OFF GREY	003281

### Steel Hub Semi-Pneumatic Wheels - Hollow Tire

Wheel Diameter	Tread Width	Wheel Bearing	Bore	Hub Style	Hub Length	Capacity (lbs)	Wheel Description	Product Number
6"	1-1/2"	Ball	1/2"	Offset	1-3/8"	80	6x150x1/2 BD/OFF	20708
6"	1-1/2"	Ball	1/2"	Centered	1-1/4"	80	6x150x1/2 BD 1R	20709
7"	1-1/2"	Ball	1/2"	Offset	1-3/8"	80	7x150x1/2 BD 2R	20713
7"	1-1/2"	Ball	1/2"	Centered	2"	80	7x150x1/2 BD 1R	20712
8"	1-3/4"	Ball	1/2"	Offset	1-3/8"	80	8x175x1/2 BD 2R	20704
8"	1-3/4"	Ball	1/2"	Centered	2"	80	8x175x1/2 BD 1R	20703
10"	2-3/4"	Ball	5/8"	Centered	2-3/4"	150	10X275X5/8	20200
10"	2-3/4"	Ball	3/4"	Centered	2-3/4"	150	10X275X3/4	20236
12"	1-3/4"	Ball	1/2"	Centered	2-1/4"	80	12x175x1/2 BZ R	20289

## Steel Hub Semi-Pneumatic Wheels

Versatile heavy duty semi-pneumatic wheels with solid tire construction on press steel rims. Available in both centred, and off-set hub.



### Medium-Heavy Duty, Steel Hub Semi-Pneumatic Wheels - Solid Tire

Wheel Diameter	Tread Width	Wheel Bearing	Bore	Hub Style	Hub Length	Capacity (lbs)	Wheel Description	Product Number
6"	1-1/2"	Ball	1/2"	Offset	1-3/8"	150	6x1-1/2	20116
8"	1-3/4"	Ball	1/2"	Offset	1-3/8"	150	8x1-3/4	20117
8"	2-1/2"	Ball	5/8"	Centered	2-1/2"	150	8x250x5/8	20113
10"	1-3/4"	Ball	1/2"	Centered	1-5/8"	150	10x1-3/4	20118
10"	1-3/4"	Ball	1/2"	Centered	1-1/2"	150	10x175x1/2	20147
10"	1-3/4"	Ball	1/2"	Centered	2-3/16"	150	10x1-3/4	20119
10"	1-3/4"	Ball	5/8"	Centered	1-5/8"	150	10x1-3/4	20120
12"	1-3/4"	Ball	1/2"	Centered	2-1/4"	150	12x1-3/4	20121
12"	1-3/4"	Ball	5/8"	Centered	2-1/4"	150	12x1-3/4	20122



## Pneumatic "Air Ride" Wheels

Pneumatic "air ride" wheels provide a cushioned ride. The tube-type pressurized tire combines shock absorption with quiet operation and easy rolling. Precision ball bearings standard with pneumatic "air ride" wheels.

### Pneumatic "Air Ride" Wheels

Wheel Diameter	Tread Width	Wheel Bearing	Bore	Hub Style	Hub Length	Capacity (lbs)	Product Number
8"	2.40/4	Precision	1/2"	Centered	3-1/4"	300	WPNU8 1/2
10"	3.50/4	Precision	1/2"	Centered	4"	350	WPNU10 1/2
10"	3.50/4	Precision	5/8"	Offset	2-1/4"	350	WPNU10 5/8-OFF
12"	3.50/4	Precision	1/2"*	Centered	4-1/4"	450	44125
16"	3.50/4	Precision	3/4"	Centered	4"	500	92264

**Application areas include:** agri-industrial, construction, and material handling applications where shock absorption and reduced vibration is required when travelling over uneven floors or rough terrain.



## Pneumatic "Air Ride" Casters

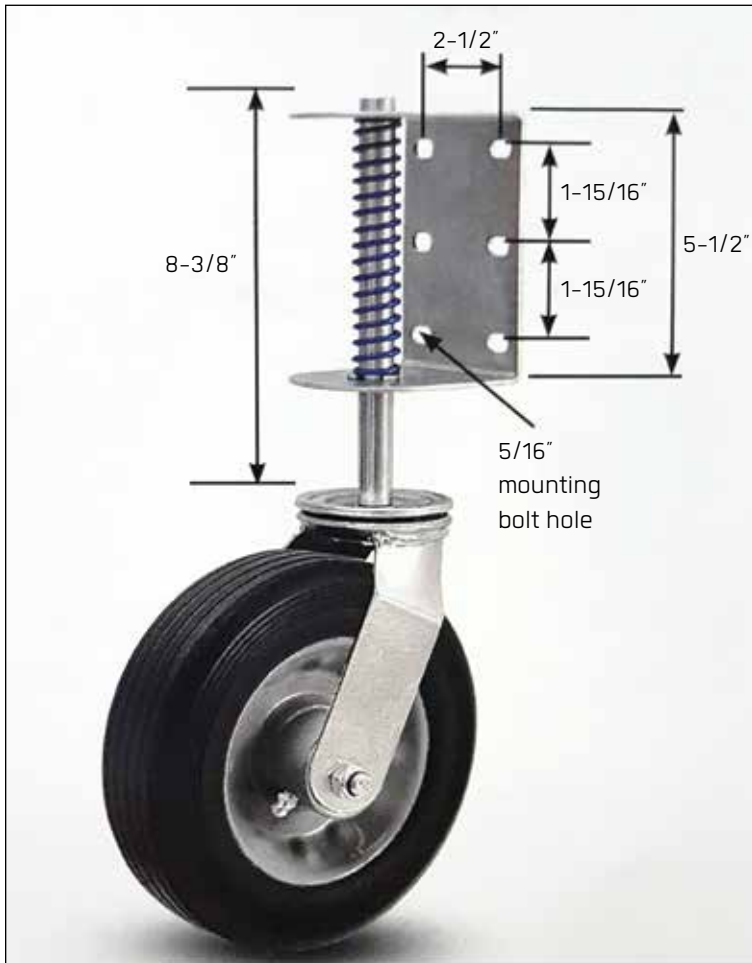
Pneumatic "air ride" casters are designed to absorb shock and vibration caused by floor obstructions and outdoor terrain. Moves delicate industrial loads smoothly and safely over rough and bumpy surfaces.

### Pneumatic "Air Ride" Casters

Wheel Diameter	Tread Width/Type	Capacity (lbs)	Load Height	Swivel Radius	Swivel Product No.	Swivel w/ Brake	Rigid Product Number
8"	2.40/4	300	9-15/16"	6-1/8"	PNU80SWL	PNU80SWLB	PNU80RGD
10"	3.50/4	350	12"	8-5/16"	PNU10SWL	PNU10SWLB	PNU10RGD
12"	3.50/4	350	15"	10-1/4"	PNU12SWL	N/A	PNU12RGD



**Gate Casters with  
Semi-Pneumatic Tire**



**POP Tire Tree Kit  
Part #92498**



Wheel Diameter	Tread Width/Type	Capacity (lbs)	Overall Height	Swivel Lead	Caster Number
8"	2-1/2	210	18-1/2	6.5	14SN08427S001

For semi-pneumatic caster options, call your Colson distributor.

VISIT US ONLINE AT COLSON.CA



Authorized Distributor